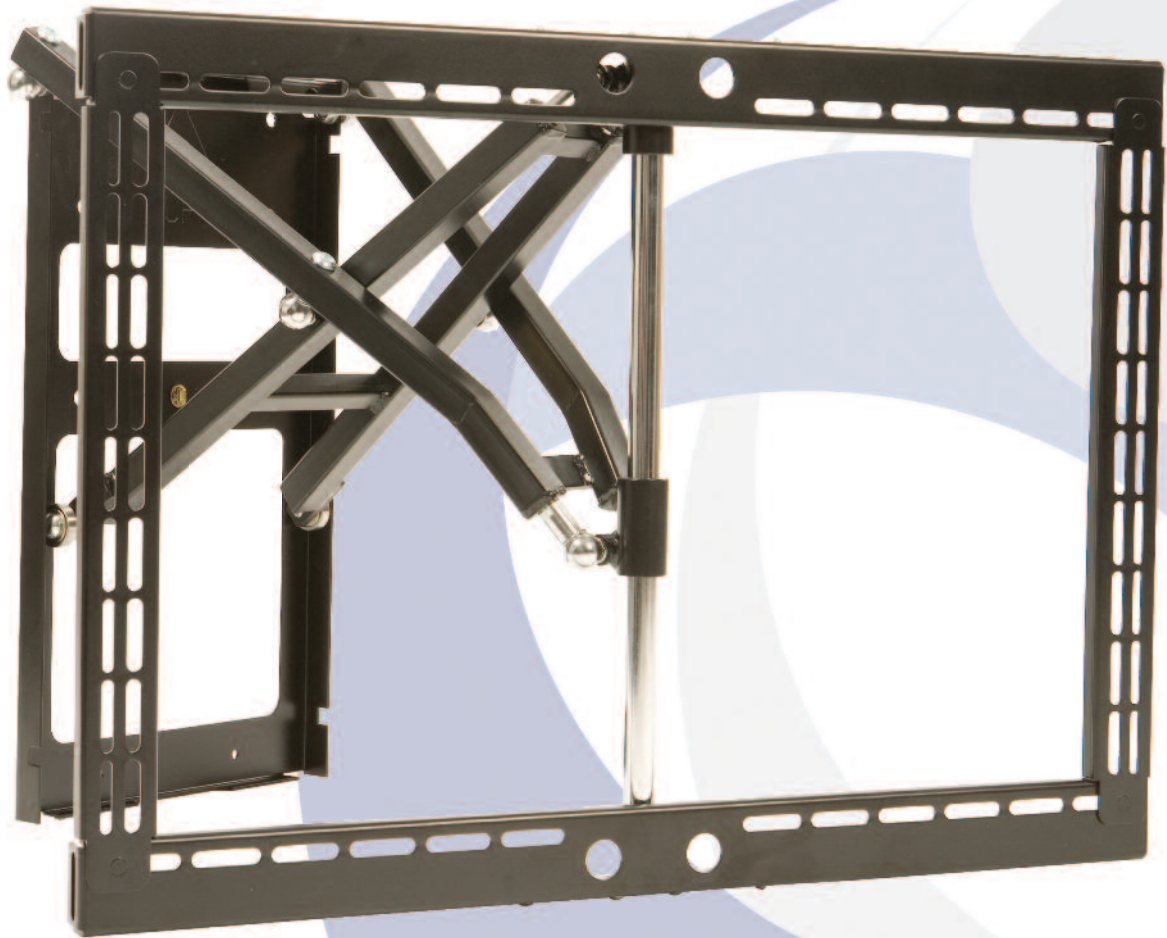


# Installation Instructions

## PS42-50 - Plasma Swivel Bracket

### Design Highlights

- Unique Scissor Design Allows Easy One Handed Operation
- Solid Steel Construction Holds Screen Securely
- Bi-Directional Swivel up to 60 Degrees in Either Direction



Thank you for choosing  
**futureautomation**

# PS42-50 - Plasma Swivel Bracket



Caution  
Warning



Beware of  
Moving Parts



Danger  
Electricity



Keep Hands  
Clear

## Safety Disclaimer

Important Safety Instructions

Explanation of graphical symbols

-(Electric Shock Symbol) = The lightning flash within an equilateral triangle is intended to alert you to the presence of un-insulated "dangerous voltage" within the products enclosure that may be of sufficient magnitude to constitute an electric shock to persons

-(Caution Symbol) = The exclamation point within an equilateral triangle is intended to alert you to the presence of important operating and maintenance (servicing) instructions in the literature accompanying the product

-(Tools Symbols) = The tools symbol within a coloured square are intended to highlight the required tools necessary for correct and safe installation of the product. These are intended as a guide only, and it is at the installer's discretion as to which tools are used.

**WARNING:** RISK OF ELECTRIC SHOCK, ONLY AUTHORIZED INSTALLERS TO OPEN THE POWER CONTROL BOX.

**WARNING:** To reduce the risk of fire or electric shock, do not expose electrical parts to rain or moisture, unless the product has been specifically designed to do so.

**WARNING:** Failure to provide adequate structural strengthening, prior to installation can result in serious personal injury or damage to the equipment. It is the installer's responsibility to ensure the structure to which the component is affixed can support the four times the weight of the component.

**WARNING:** Do not exceed the weight capacity. This can result in serious personal injury or damage to the equipment. It is the installer's responsibility to ensure that the total combined weight of all attached components does not exceed that of the maximum figure stated.

**WARNING:** Failure to provide adequate structural strength for this component can result in serious personal injury or damage to equipment! It is the installer's responsibility to make sure the structure to which this component is attached can support five times the combined weight of allequipment. Reinforce the structure as required before installing the component.

## Warnings:

1. Read all technical instructions fully before installation and use. It is the installer's responsibility to ensure that all documentation is passed on the end user and read fully before operation.
2. Keep all documentation.
3. Heed all warnings.
4. Follow all technical specifications and instructions during installation.
5. Do not use near water unless the product has been specifically designed to do so.
6. Clean only with a dry cloth.
7. Do not defeat the purpose of the polarized or grounding type plug. A polarized plug has two blades, one wider than the other. A grounding type plug has two blades and a grounding prong. The wide blade or third prong are provided for your safety. If the provided plug does not fit your outlet, consult an electrician or contact the manufacturer.
8. Protect the power cord from being walked on or pinched, particularly at plugs, convenience receptacles, and the point where the exit from the apparatus.
9. Unplug the apparatus during lightning storms or when unused for long periods of time.
10. Only use attachments/accessories specified by the manufacturer.
11. Refer all servicing to qualified personnel. Servicing is required regularly on an annual basis, when the apparatus is damaged in any way, liquid has been spilled or objects have fallen into the apparatus, the apparatus has been exposed to rain or moisture, does not operate normally, or has been dropped.
12. To completely disconnect the apparatus form the AC mains, disconnect the power cord plug from the AC receptacle on the power control box.
13. To prevent overheating, do not cover the apparatus. Install in accordance with the instructions.
14. UK, Ireland and Hong Kong only – The power cord is supplied with a 13A plug having an earthing pin. The apparatus is earthed and this pin is not required for safety, merely to operate the safety shutter of mains outlet.
15. No naked flames such as lit candles should be placed on the unit.
16. Observe and follow the local regulations when disposing of batteries.
17. Do not expose the unit to dripping or splashing fluids.
18. Do not place objects filled with liquid, such as vases, on the unit.
19. Do not expose the batteries to excessive heat such as sunshine, fire or the like.
20. For all mounted apparatus, the apparatus should be installed on solid wood, bricks, concrete or solid wood columns and battens.
21. Always turn off power at source before putting on or taking off parts and cleaning.
22. Do not use outdoors unless marked for outdoor use.
23. Exceeding the weight capacity can result in serious personal injury or damage to equipment.

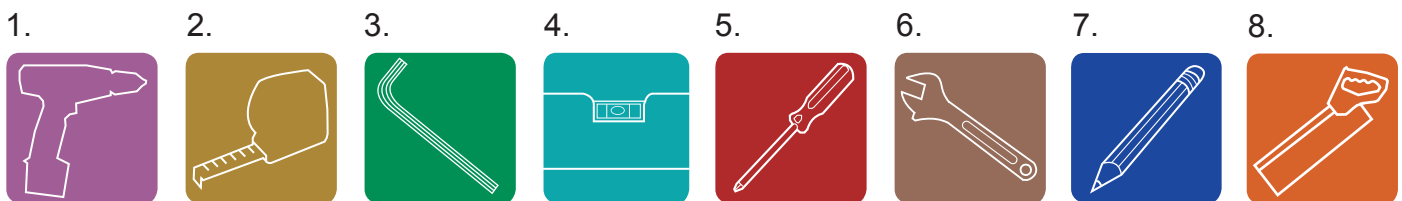
Future Sound & Vision trading as Future Automation intend to make this and all documentation as accurate as possible. However, Future Automation makes no claim that the information contained herein covers all details, conditions or variations, nor does it provide for every possible contingency in connection with the installation or use of this product. The information contained in this document is subject to change without prior notice or obligation of any kind. Future Automation makes no representation of warranty, expressed or implied, regarding the information contained herein. Future Automation assumes no responsibility for accuracy, completeness or sufficiency of the information contained in this document.

# PS42-50 - Plasma Swivel Bracket

Contents	Page
Introduction	
Safety Information	1
Contents	2
Contents	3
Tool Indicator Icons	3
Installation	
Parts List	4
Package Contents	4
Stage 1	
Before You Start Check	5
Removing the Uprights From the Frame	5
Stage 2	
Upright Adjustment & Mounting	6
Stage 3	
Mounting the Uprights to the Screen	7
Stage 4	
Mounting the Screen to the Bracket	8
Stage 5	
Screen Positioning	9
Stage 6	
Fitting the Bracket to the Wall	10
Stage 7	
Fixing the Screen & Uprights to the Bracket	11
Technical Overview	12

# PS42-50 - Plasma Swivel Bracket

## Tool Indicator Icons



1. - Drill

2. - Tape measure

3. - Allen Keys

4. - Spirit Level

5. - Screwdrivers

6. - Spanners

7. - Pencil

8. - Saw

## Product Warranty

This product carries a warranty that covers the cost of labour and spare parts incurred by any defects in materials and workmanship under normal use during a two year period from date of purchase. Support for any problems that are not hardware faults are excluded from the warranty entitlement. This warranty does not affect your statutory consumer rights.

The following is excluded from warranty service:

- Malfunctioning caused by misuse or damage, accidental or otherwise, or service modification by persons not authorised by Future Automation, or the use of any non Future Automation supplied parts;
- Any electrical, or other environmental work external to your Future Automation mechanism including power cuts, surges or lightning strikes;
- Additional items not supplied by Future Automation although they may have been supplied together by the retailer;
- Any 3rd party software products controlling your mechanism;
- Any transfer of ownership. Warranty is provided only to the initial purchaser;
- Compensation for loss of use of the product, and consequential loss of any kind;
- Use of the product over the specified weight capacity;
- Any damage to products during transit that is not checked and notified as "unchecked" or "damaged" upon receipt of delivery.

Any part of your system that needs to be replaced during a warranty repair becomes the property of Future Automation.

# PS42-50 - Plasma Swivel Bracket

## Package Contents

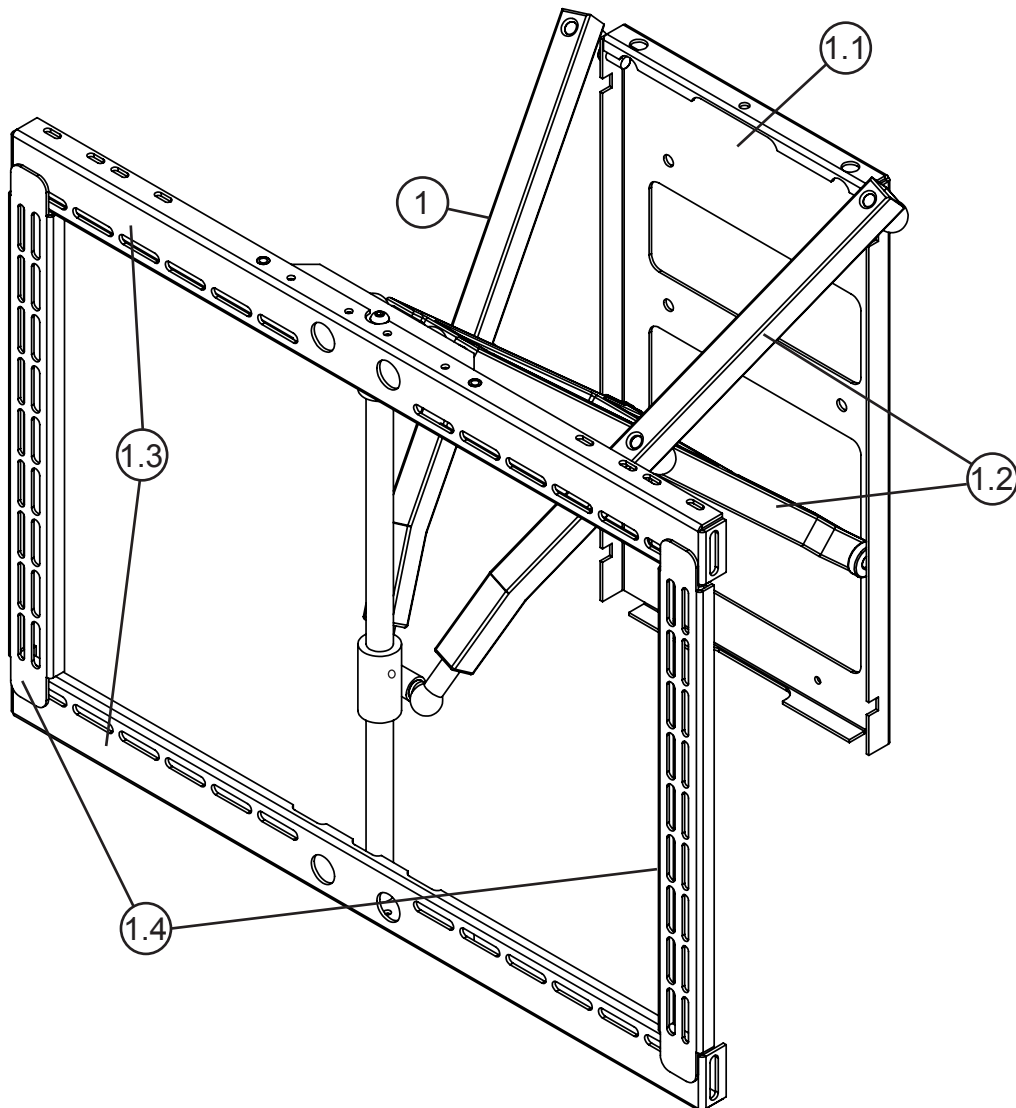
- 1 - Wall Bracket
- 1.1 - Wall Plate
- 1.2 - Scissor Arms
- 1.3 - Cross Members
- 1.4 - Uprights

## Nuts & Bolts Multipack:

A range of nuts, bolts, washers and spacers to help add in the mounting for your screen

PS42 Plasma Swivel Bracket for 37" - 46" Screens

PS50 Plasma Swivel Bracket for 46" - 55" Screens



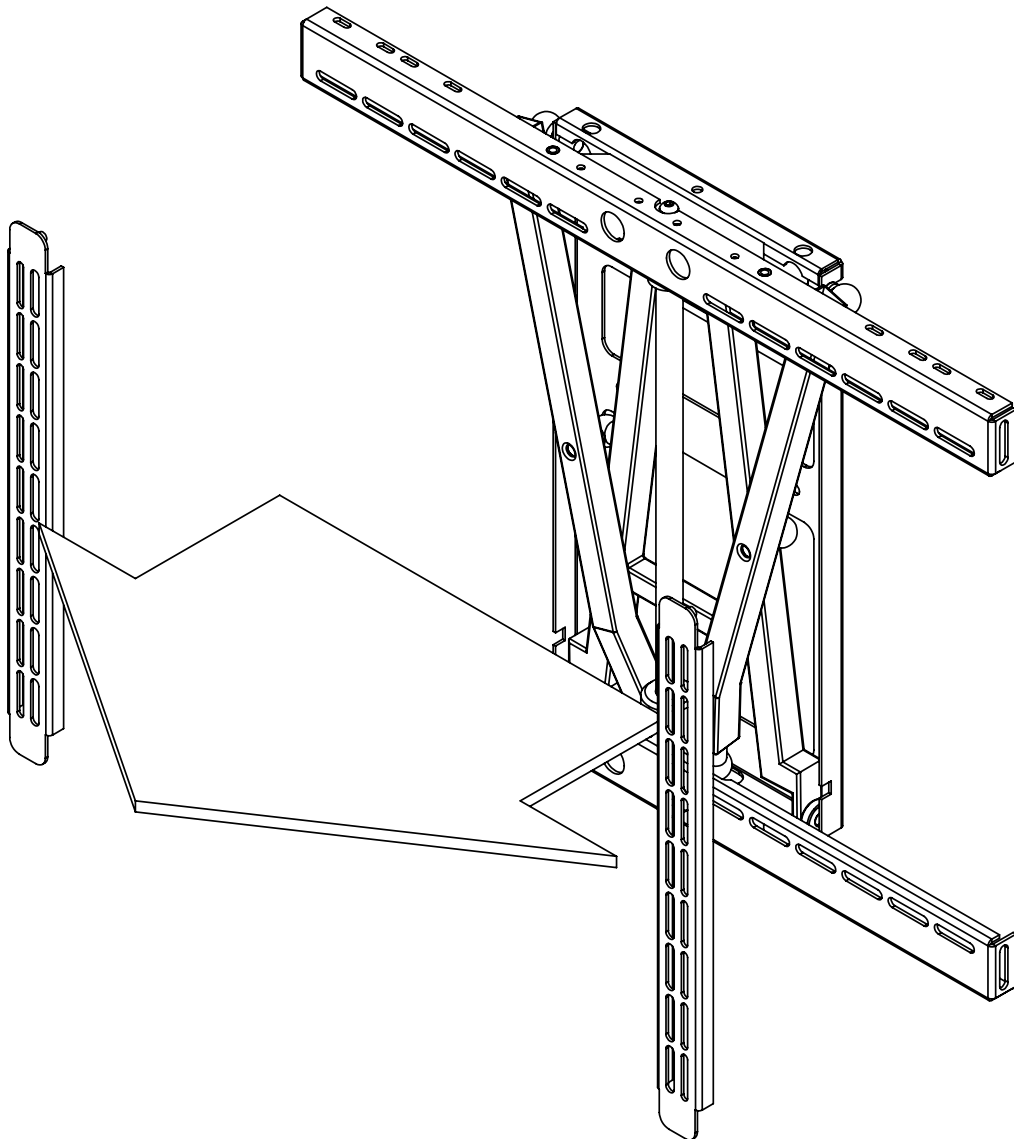
# PS42-50 - Plasma Swivel Bracket



## Before You Start

Prior to installation check the following:

- The product is in good condition
- No damage to any parts
- The bracket is in the closed position



## Removing the Uprights From the Bracket


The product is supplied with the uprights attached to the bracket.

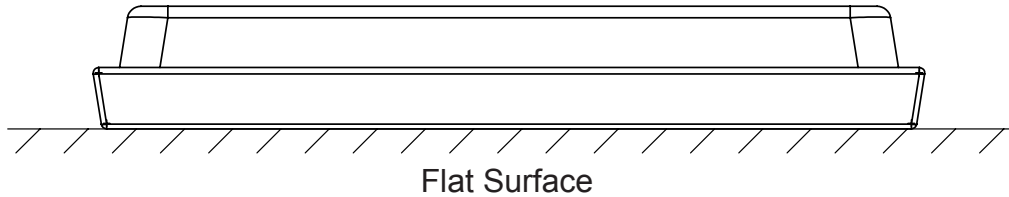
These need to be removed to enable ease of attachment to the rear of the screen. Simply undo the nuts on the rear of the cross members and the uprights can be removed.

# PS42-50 - Plasma Swivel Bracket

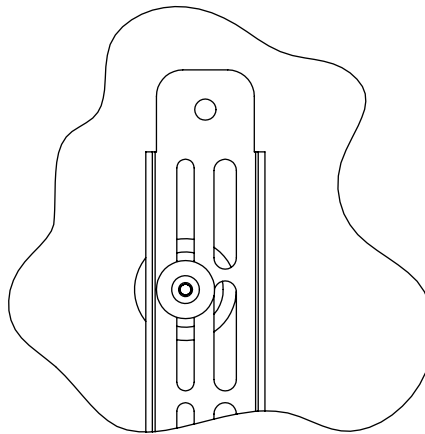


## Upright adjustment and mounting

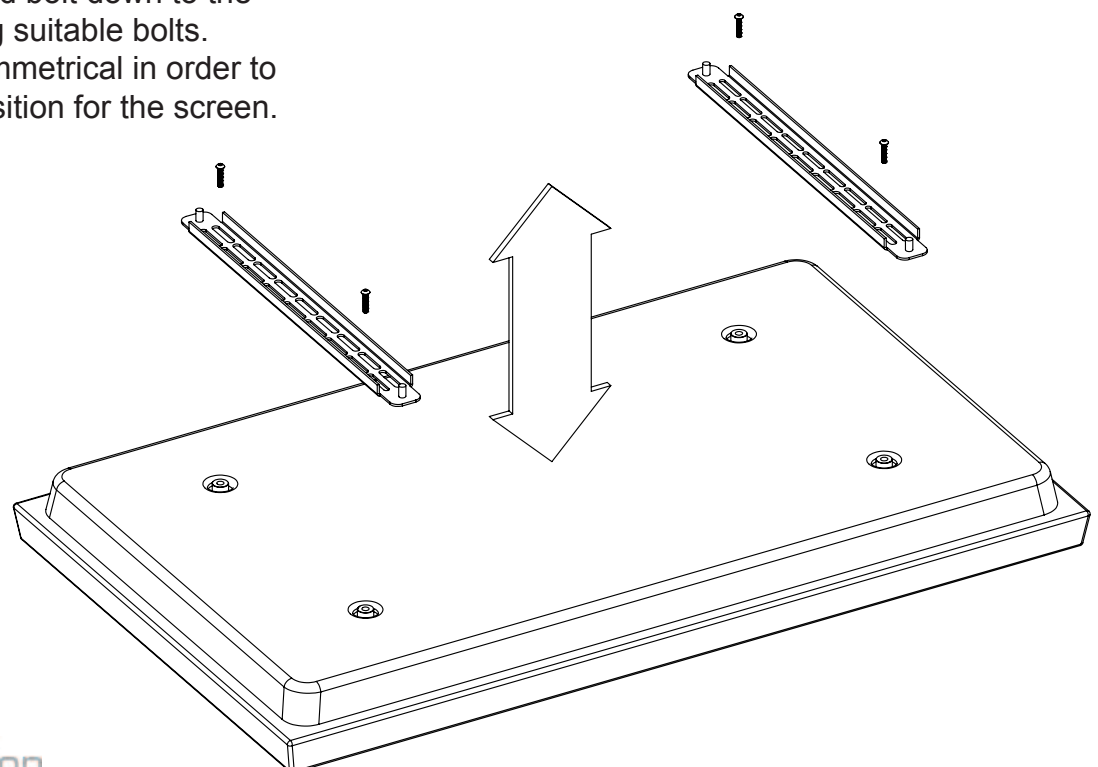
 Firstly, place the screen face down on a flat suitable surface, such as carpeted floor. Take care not to damage the screen.



The uprights are designed with two rows of slots. One row is 7mm wide, for smaller bolts. The other is 9mm wide, for larger bolts.



Once flat, lower the uprights onto the back of the screen and bolt down to the mounting points using suitable bolts. Keep the uprights symmetrical in order to maintain a central position for the screen.



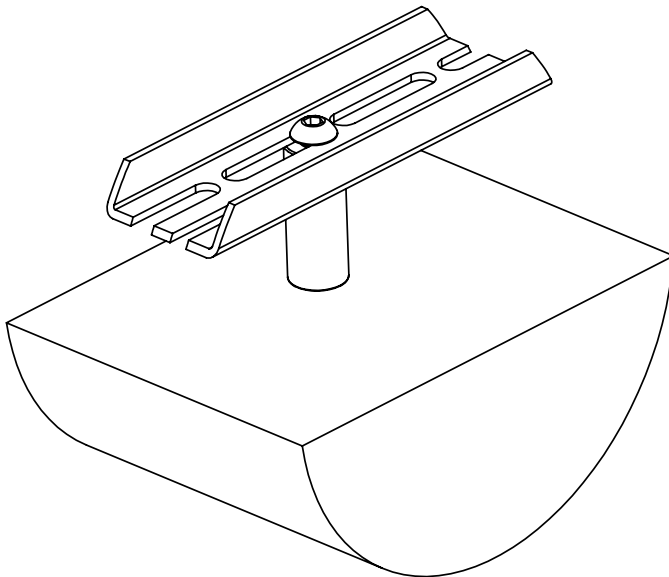
# PS42-50 - Plasma Swivel Bracket



## Mounting the uprights to the screen

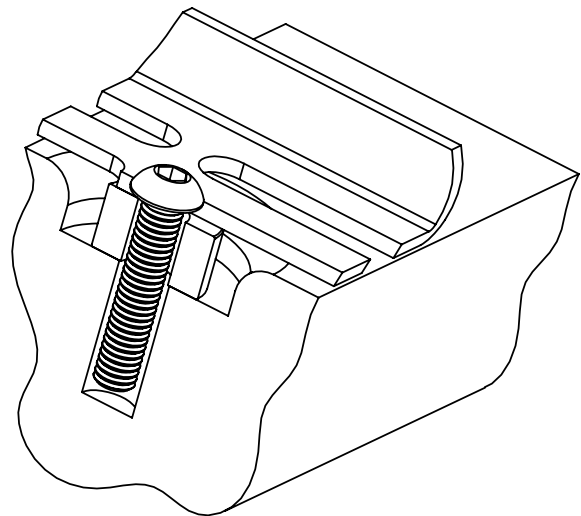
If the screen has mounting points which are recessed, it will be necessary to use some of the provided spacers, in order to attach the uprights to the screen.

It is also recommended that a minimum of 15mm of bolt thread is screwed into the case of the screen, without bottoming out.



It is also recommended that a minimum of 15mm of bolt thread is screwed into the case of the screen, without bottoming out.

It may be necessary to use spacers even if the mounting points are not recessed. For example, if the back panel is not flat, or to allow for easier electrical connection.



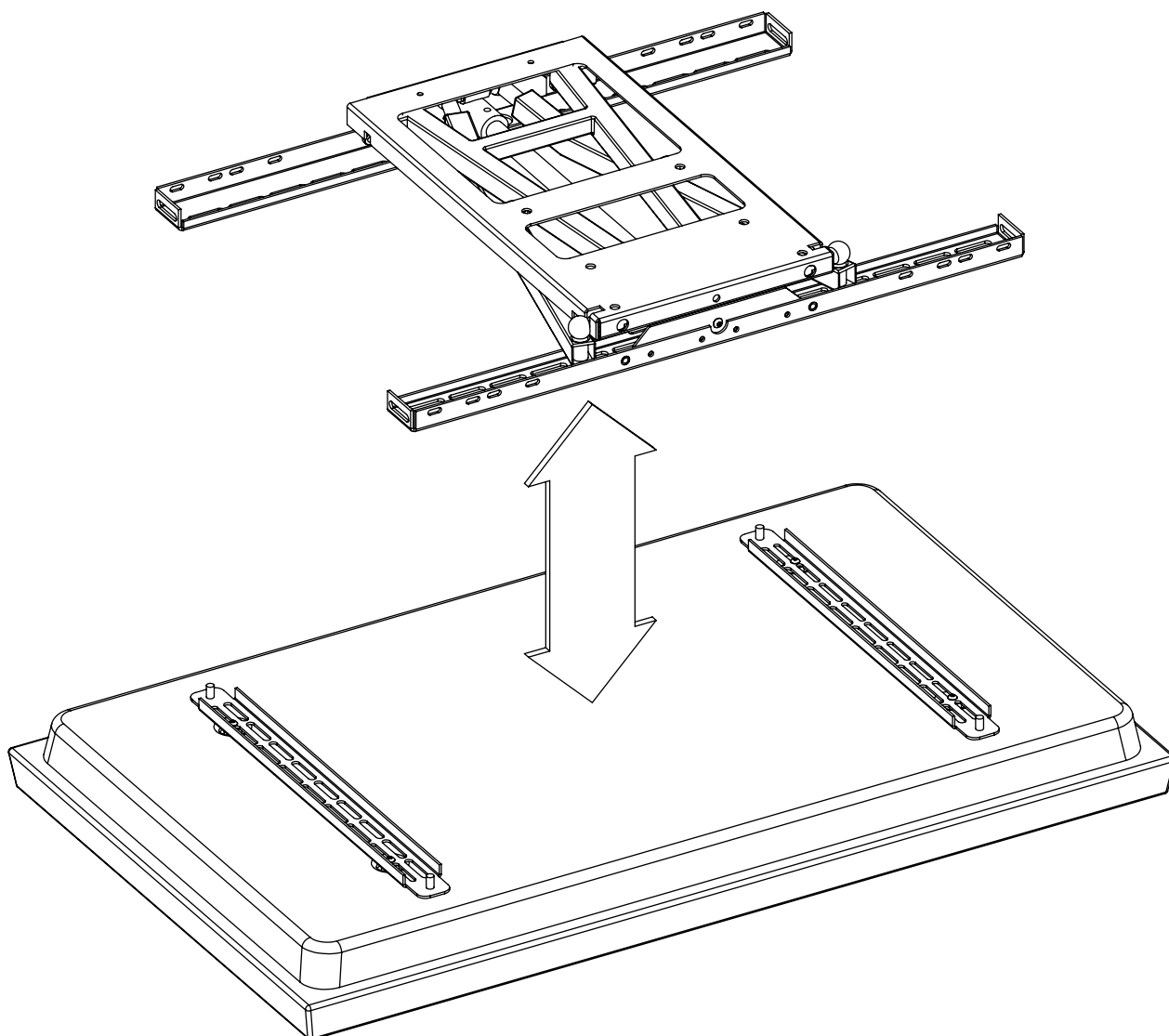


# PS42-50 - Plasma Swivel Bracket



## Mounting the frame to the screen

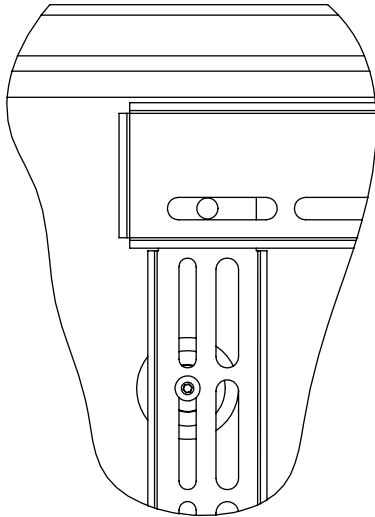
With the screen still face down, lower the bracket down on to the uprights and locate the slots on the studs.



# PS42-50 - Plasma Swivel Bracket



## Screen positioning

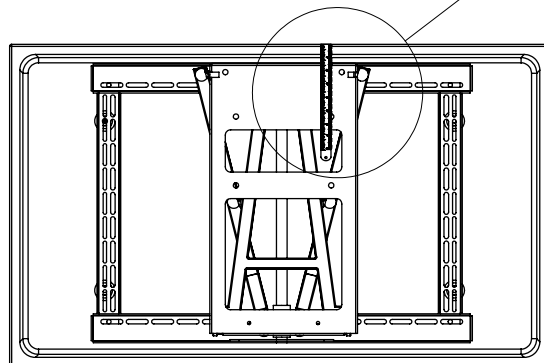
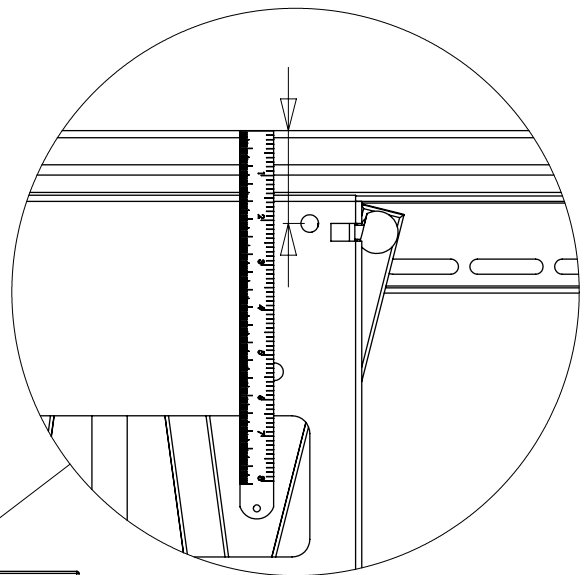


If when the frame is placed on the back of the screen, the overlaying slots don't appear to locate with the bolts on the uprights, it may be necessary to re-position the uprights.

The uprights are designed to be able to accommodate any width of mounting points. Simply remove the uprights. If, for example, the wider slots were previously on the inside of the mounting points, turn the uprights around so they are then on the outside.



Take this opportunity to measure the distance from the top of the screen down to the top mounting holes of the wall plate. This will be useful when gauging the position of the screen, and hence the position of the holes in the wall.



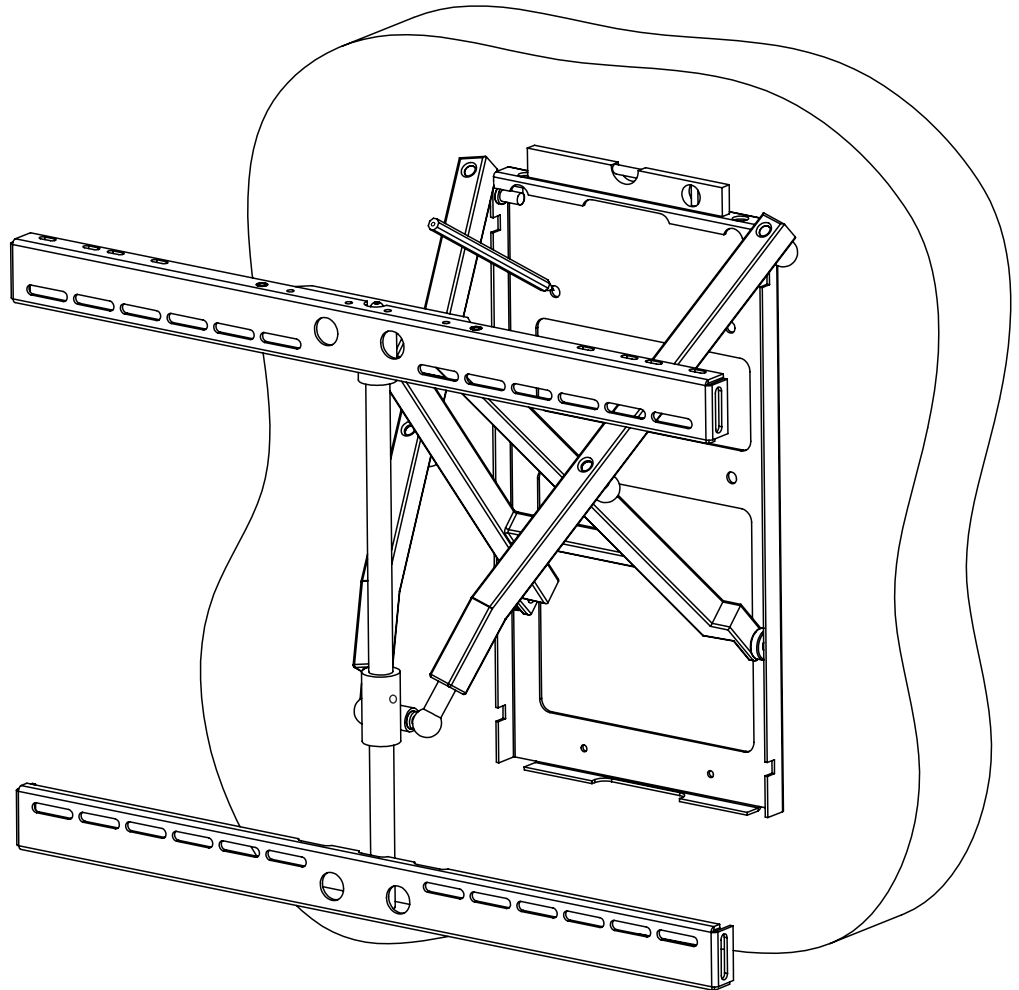
# PS42-50 - Plasma Swivel Bracket



## Fitting the Bracket to the Wall

Firstly, remove the bracket from the rear of the screen. Make sure that the up-rights are still left connected to the rear of the plasma screen.

Bearing in mind the relative distance from the top of the plasma screen to the top mounting holes, place the wall plate against the wall, and mark where the holes need to be on the wall. Take care with making sure the wall plate is level.



## Bracket Position

It is important to remember the limitations of the bracket when deciding on its position on the wall. The bracket enables a screen to rotate through a maximum of 60 degree clockwise and 60 degree anti-clockwise from initially being parallel to the wall behind.

## Wall Fixings

There are no wall fixings supplied with this product.

The wall plate has 10mm diameter holes for the fixings. Therefore, it is recommended that fixings of minimum 8mm diameter are used.

It is recommended that either rawlbolts, large diameter plastic wall bolts, or resin anchors are used to fix this product to the wall.

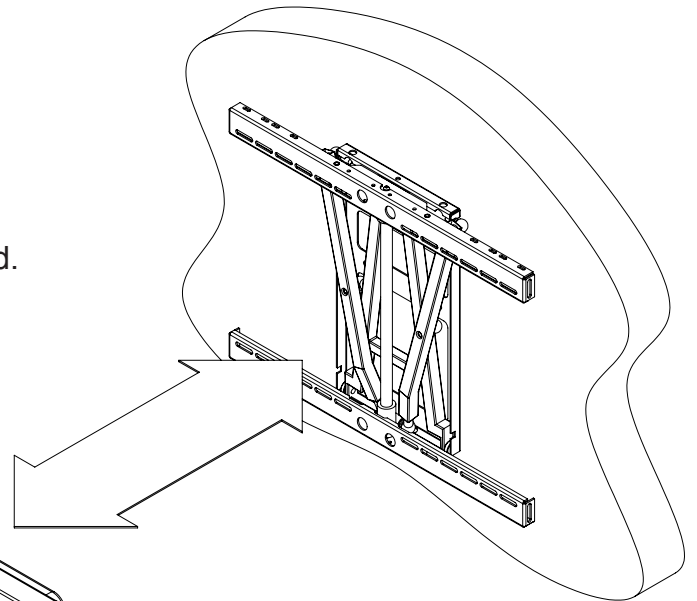
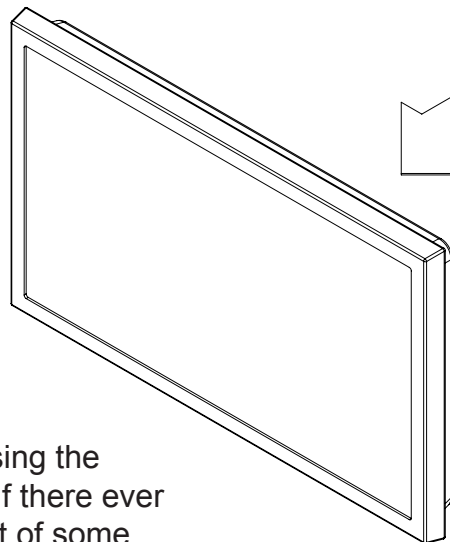
Suitability of fixings will depend on the type of wall the product will be fixed to.

# PS42-50 - Plasma Swivel Bracket



## Fixing the Screen & Uprights to the Frame

With the bracket sitting flat against the wall, place the screen against it, keeping the bolts and corresponding slots properly aligned.

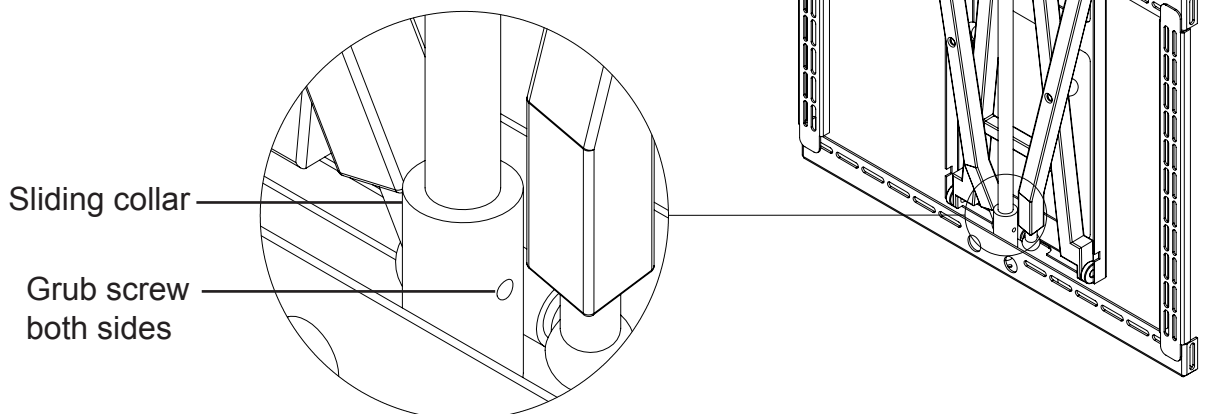


### Usage-

Take care when using the PS42-50 bracket. If there ever seems to be a fault of some kind with the mechanism, please consult Future Automation immediately. Do not force, or apply excessive loads to any part of the mechanism.

Once in place, secure the uprights on the cross members by putting nuts back on the studs and make sure they are properly tightened.

If the wall bracket is loose when operating you can add more friction by adjusting the pair of grub screws located in the sliding collar.



# PS42-50 - Plasma Swivel Bracket



A general technical overview of the PS42-50 Plasma Swivel Bracket

	PS42	PS50
<b>Product Dimensions (W,D,H)</b>	700x70x527mm [27.6x2.8x20.7"]	700x70x617mm [27.6x2.8x24.3"]
<b>Weight (Kg)</b>	9Kg [19.8lb]	10Kg [22lb]
<b>Movement</b>		
<b>Extention From Wall</b>	420mm [16.3"]	530mm [20.9"]
<b>Angle Right</b>	60°	60°
<b>Angle Left</b>	60°	60°
<b>Max Screen Weight (W,D,H)</b>	60Kg [132.3lb]	60Kg [132.3lb]
<b>Standard Colour</b>	Black	Black
<b>Depth From Wall</b>	70mm [2.8"]	70mm [2.8"]
<b>Control</b>	Manual	Manual
<b>Shipping Details</b>		
<b>Dimensions (W,D,H)</b>	760x570x100mm [29.9x22.4x3.9"]	760x660x100mm [29.9x26.1x3.9"]
<b>Weight (Kg)</b>	14Kg [30.9lb]	15Kg [33.1lb]

Notes...



**Future Automation**

Unit 2 Kimpton Enterprise Park  
Claggy Road  
Kimpton  
Hertfordshire  
SG4 8HP  
United Kingdom

Tel: +44 (0) 1438 833 577

Fax: +44 (0) 1438 833 565

Email: [info@futureautomation.co.uk](mailto:info@futureautomation.co.uk)

[www.futureautomation.co.uk](http://www.futureautomation.co.uk)